

PLAN VIEW

SCALE: 1" = NTS

- QUANTITY:
- TYPE W1 - 1
 - TYPE W2 - 3
 - TYPE W3 - 39
 - TYPE W4 - 1
 - TYPE W5 - 1
 - TYPE W6 - 1

ARCH REF: 1/A101

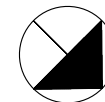
01

GROUND FLOOR

- KAWNEER IR 501 IMPACT RESISTANT ALUMINUM STOREFRONT
- KAWNEER 500 IR WIDE STILE IMPACT STOREFRONT ENTRANCES
- KAWNEER VG 450 ALUMINUM STOREFRONT
- KAWNEER 350 MEDIUM STILE STOREFRONT ENTRANCES

TYPE W7 - 4 TYPE W8 - 1 TYPE W9 - 2 W10 - 2

PLAN NORTH

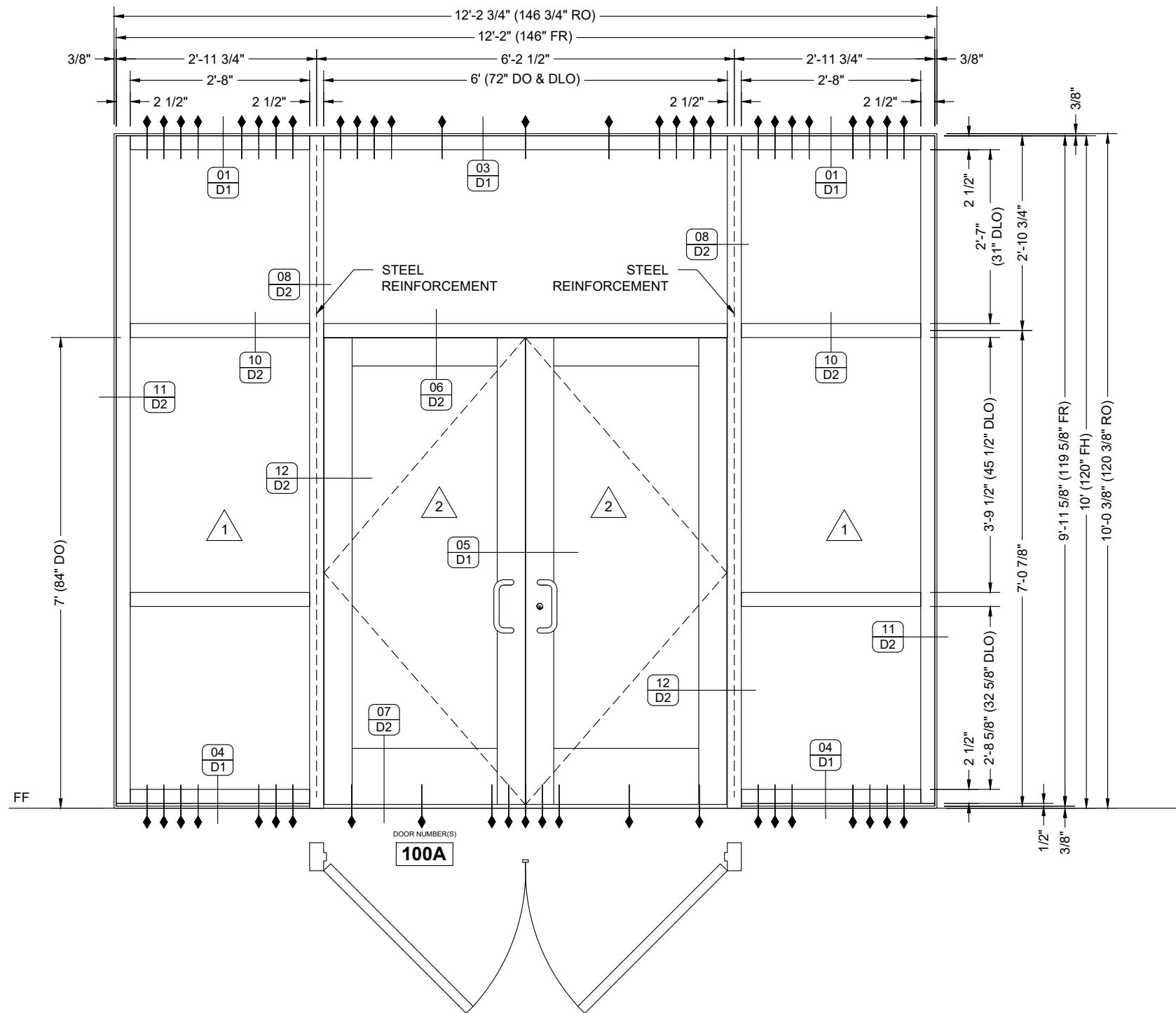


NO.	DATE	BY	DESCRIPTION
3	12/20/21	fp	REVISION To change elevation dimensions & add Transom Window
2	12/13/21	fp	Remove Vertical Mullion in Transom of Exterior Entrance W2
1	12/05/21	fp	First Submittal

EVINS GLASS SERVICE, INC
101 N.P.I.D., CORPUS CHRISTI, TX 78406
WORK (361) 884-3995 FAX (361) 884-4262

PROJECT
CORPUS CHRISTI SCHOOL OF SCIENCE & TECHNOLOGY
NEW BUILDING, EARLY LEARNING CNTR.
ARCHITECT
OPEN STUDIO ARCHITECTURE
(210) 417-4807
GENERAL CONTRACTOR
EDU BUILD
(361) 947-7199

PROJECT NO.	EGS-2111-04
DRAWN BY	fp
DATE	12/20/21
SCALE	NTS
DRAWING	FLOOR PLANS
SHEET	P1



ELEVATION

QUANTITY: 01

SCALE: 1/2" = 1'-0"

ARCH REF: 1/A101

15/A128 1/A201

W1

EXTERIOR ENTRANCE

KAWNEER 500 IR IMPACT ENTRANCE ON IR 501 IMPACT RESISTANT ALUMINUM STOREFRONT

D/A601 W1/A601

NO.	DATE	DESCRIPTION
3	12/20/21	REVISION To change elevation dimensions & add Transom Window
2	12/13/21	Remove Vertical Mullion in Transom of Exterior Entrance W2
1	12/05/21	First Submittal

EVINS GLASS SERVICE, INC

101 N.P.I.D., CORPUS CHRISTI, TX 78406

WORK (361) 884-3995 FAX (361) 884-4262

PROJECT
 CORPUS CHRISTI SCHOOL OF SCIENCE & TECHNOLOGY
NEW BUILDING, EARLY LEARNING CNTR.

ARCHITECT
 OPEN STUDIO ARCHITECTURE

GENERAL CONTRACTOR
 EDU BUILD
 (861) 947-7199

PROJECT NO.

EGS-2111-04

DRAWN BY

fp

DATE

12/20/21

SCALE

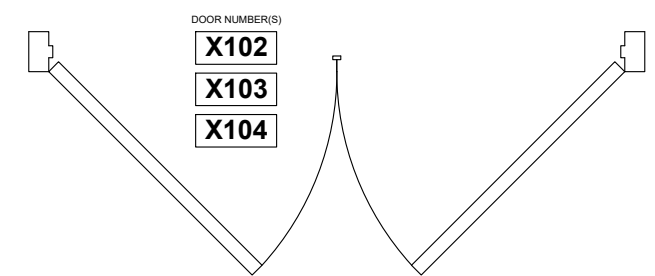
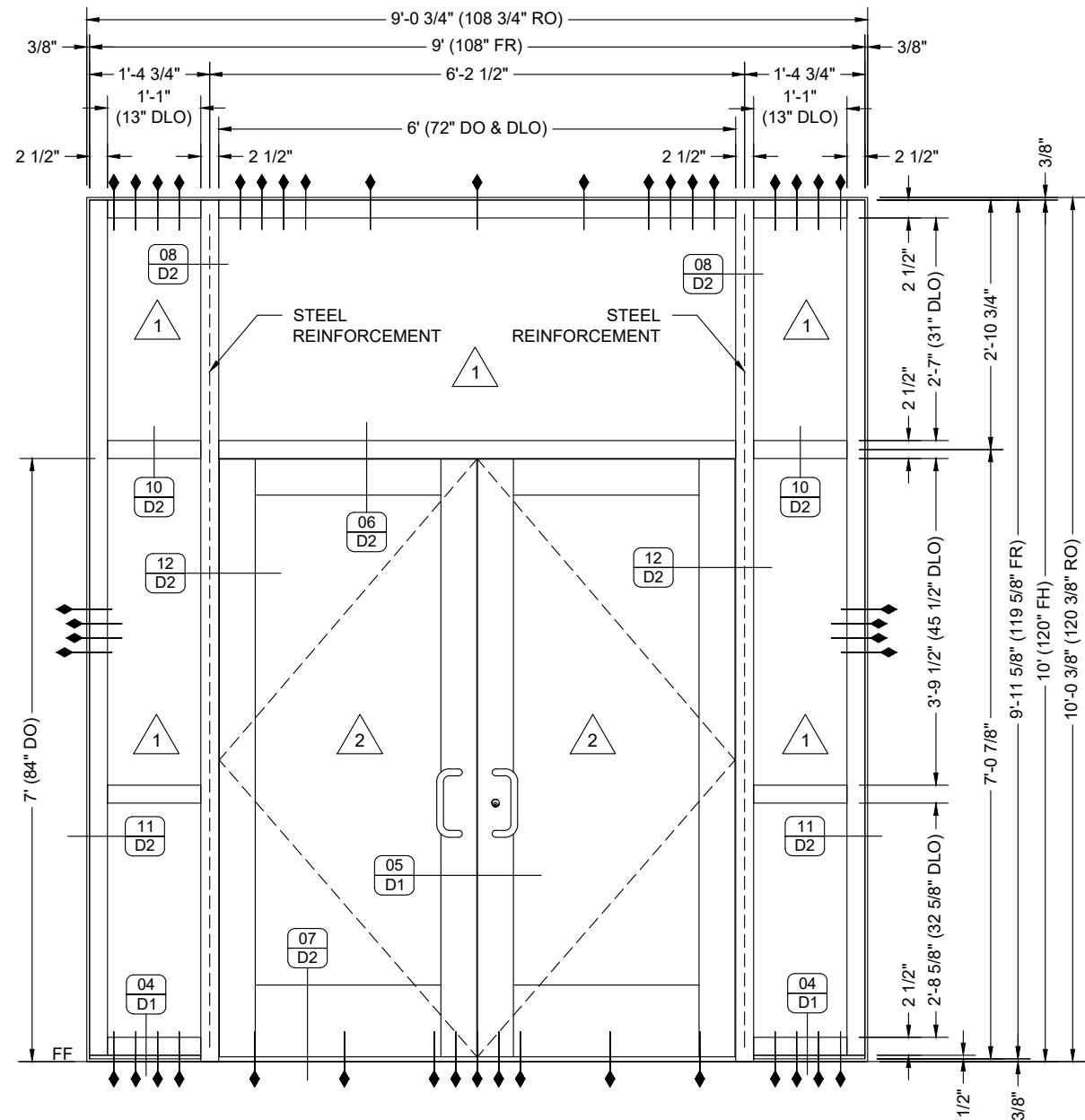
1/2" = 1'-0"

DRAWING

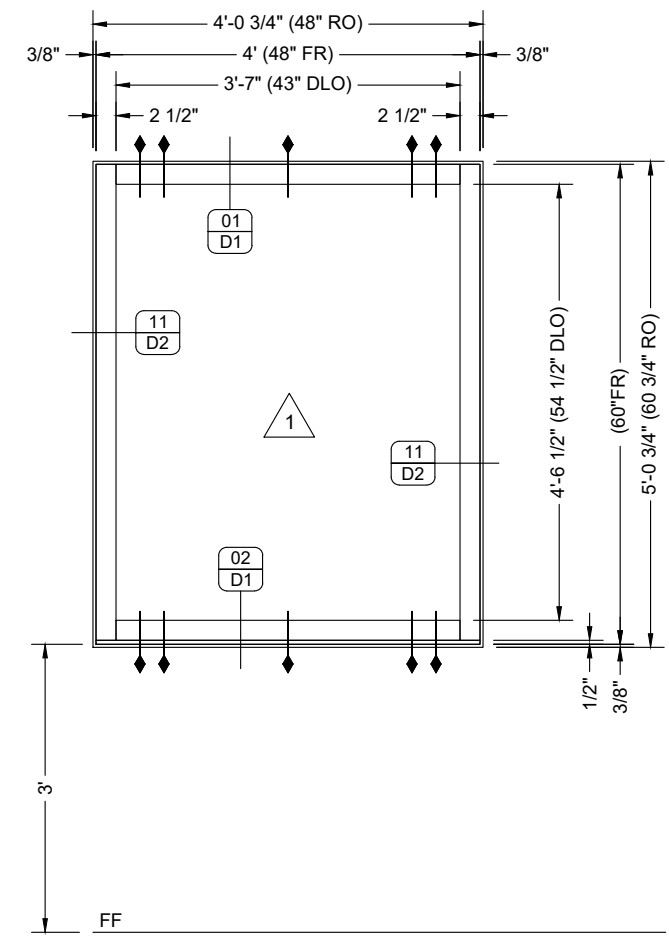
ELEVATIONS

SHEET

E1



ELEVATION **W2** **EXTERIOR ENTRANCE**
 QUANTITY: 03
 SCALE: 1/2" = 1'-0"
 ARCH REF: 1/A101 3/A201 4/A201 2/A301 D/A601 W2/A601
 KAWNEER 500 IR IMPACT ENTRANCE ON IR 501 IMPACT RESISTANT ALUMINUM STOREFRONT



ELEVATION **W3** **EXTERIOR STOREFRONT**
 QUANTITY: 39
 SCALE: 1/2" = 1'-0"
 ARCH REF: 1/A101 2/A201 3/A201 4/A301 W3/A601
 KAWNEER IR 501 IMPACT RESISTANT ALUMINUM STOREFRONT

NO.	DATE	BY	DESCRIPTION
3	12/20/21	fp	REVISION To change elevation dimensions & add Transom Window
2	12/13/21	fp	Remove Vertical Mullion in Transom of Exterior Entrance W2
1	12/05/21	fp	First Submittal

EVINS GLASS SERVICE, INC
 101 N.P.I.D., CORPUS CHRISTI, TX 78406
 WORK (361) 884-3995 FAX (361) 884-4262

PROJECT: CORPUS CHRISTI SCHOOL OF SCIENCE & TECHNOLOGY
NEW BUILDING, EARLY LEARNING CNTR.
 ARCHITECT: OPEN STUDIO ARCHITECTURE
 (210) 417-4807
 GENERAL CONTRACTOR: EDU BUILD
 (361) 947-7199

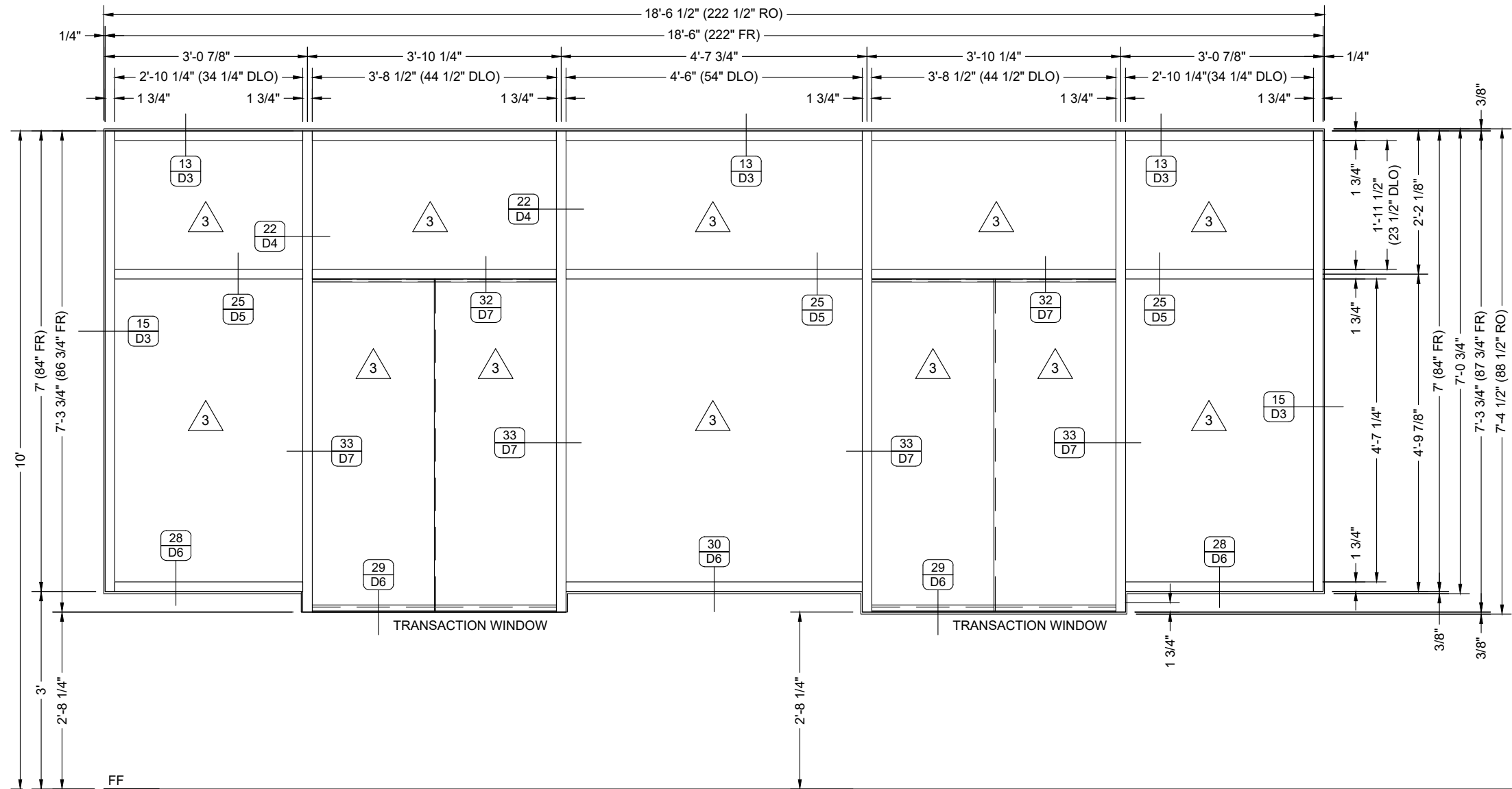
PROJECT NO.	EGS-2111-04
DRAWN BY	fp
DATE	12/20/21
SCALE	1/2" = 1'-0"
DRAWING	ELEVATIONS
SHEET	E2

NO.	DATE	BY	DESCRIPTION
3	12/20/21	fp	REVISION TO change elevation dimensions & add Transaction Window
2	12/13/21	fp	Remove Vertical Mullion in Transom of Exterior Entrance W2
1	12/05/21	fp	First Submittal

EVINS GLASS SERVICE, INC
 101 N.P.I.D., CORPUS CHRISTI, TX 78406
 WORK (361) 884-3995 FAX (361) 884-4262

PROJECT: CORPUS CHRISTI SCHOOL OF SCIENCE & TECHNOLOGY
NEW BUILDING, EARLY LEARNING CNTR.
 ARCHITECT: OPEN STUDIO ARCHITECTURE
 (210) 417-4807
 GENERAL CONTRACTOR: EDU BUILD
 (361) 947-7199

PROJECT NO.	EGS-2111-04
DRAWN BY	fp
DATE	12/20/21
SCALE	1/2" = 1'-0"
DRAWING	ELEVATIONS
SHEET	E3



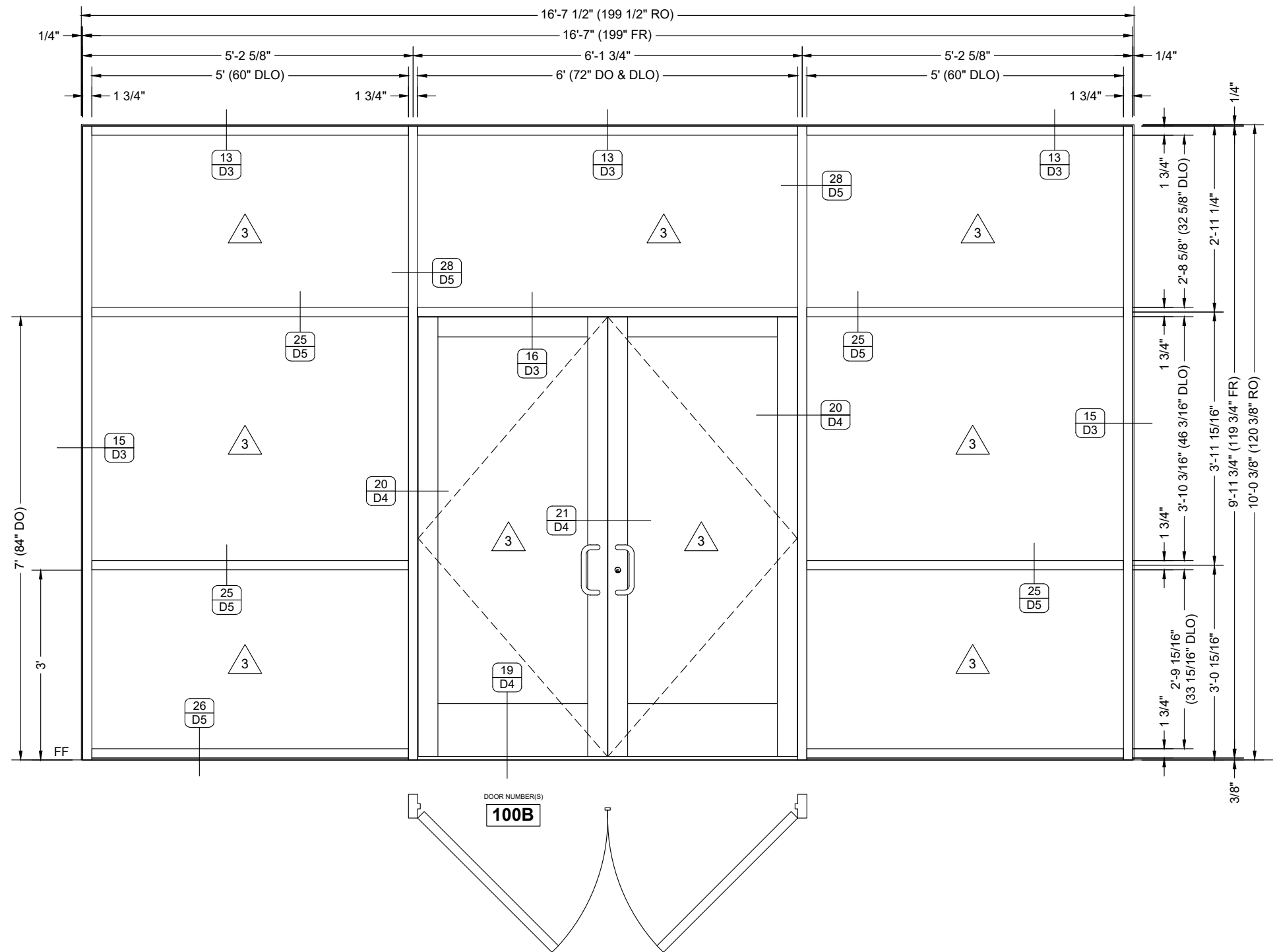
ELEVATION

QUANTITY: 01
 SCALE: 1/2" = 1'-0"
 ARCH REF: 1/A101
 12/A128 14/A128



INTERIOR STOREFRONT & PASS THROUGH

KAWNEER VG 450 ALUMINUM STOREFRONT
 CR LAURENCE 2204A ALUMINUM PASS THROUGH WINDOW
 2/A301 W4/A601



ELEVATION

QUANTITY: 01
 SCALE: 1/2" = 1'-0"
 ARCH REF: 1/A101
 16/A128 2/A401

W5

INTERIOR STOREFRONT ENTRANCE

KAWNEER 350 IR MEDIUM STILE STANDARD DOORS ON
 KAWNEER VG 450 ALUMINUM STOREFRONT FRAMING
 D/A601 W5/A501

DOOR NUMBER(S)
100B

NO.	DATE	DESCRIPTION
3	12/20/21	REVISION To change elevation dimensions & add Transom Window
2	12/13/21	Remove Vertical Mullion in Transom of Exterior Entrance W2
1	12/05/21	First Submittal

EVINS GLASS SERVICE, INC
 101 N.P.I.D., CORPUS CHRISTI, TX 78406
 WORK (361) 884-3995 FAX (361) 884-4262

PROJECT
 CORPUS CHRISTI SCHOOL OF SCIENCE & TECHNOLOGY
NEW BUILDING, EARLY LEARNING CNTR.
 ARCHITECT
 OPEN STUDIO ARCHITECTURE
 GENERAL CONTRACTOR
 EDU BUILD
 (861) 947-7199

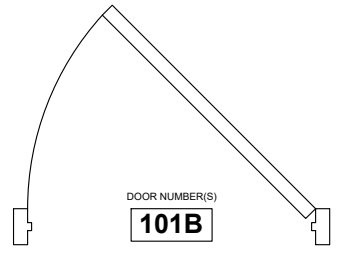
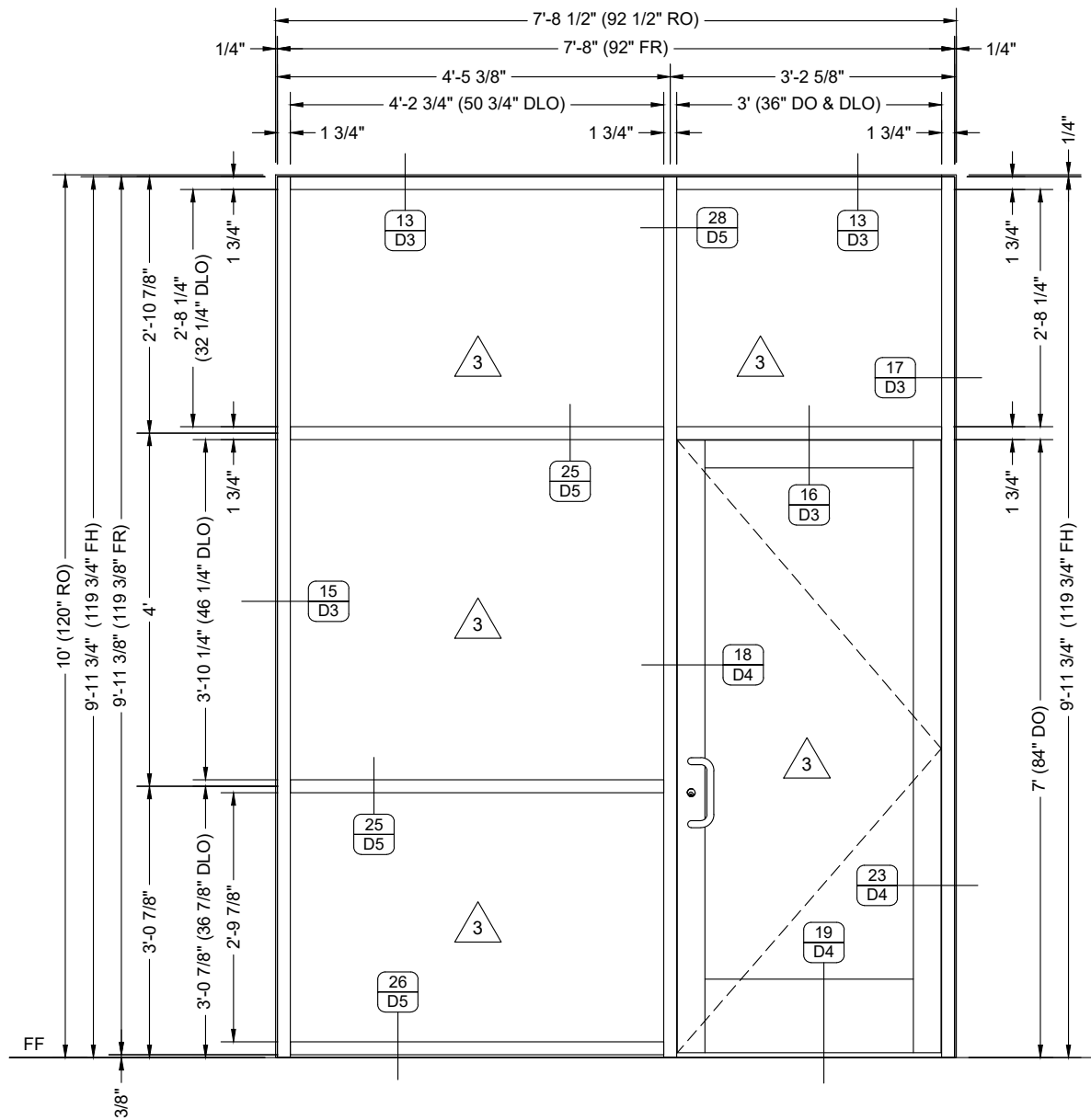
PROJECT NO.	EGS-2111-04
DRAWN BY	fp
DATE	12/20/21
SCALE	1/2" = 1'-0"
DRAWING	ELEVATIONS
SHEET	E4

NO.	DATE	BY	DESCRIPTION
3	12/20/21	fp	REVISION TO change elevation dimensions & add Transom Window
2	12/13/21	fp	Remove Vertical Mullion in Transom of Exterior Entrance W2
1	12/05/21	fp	First Submittal
SUB			

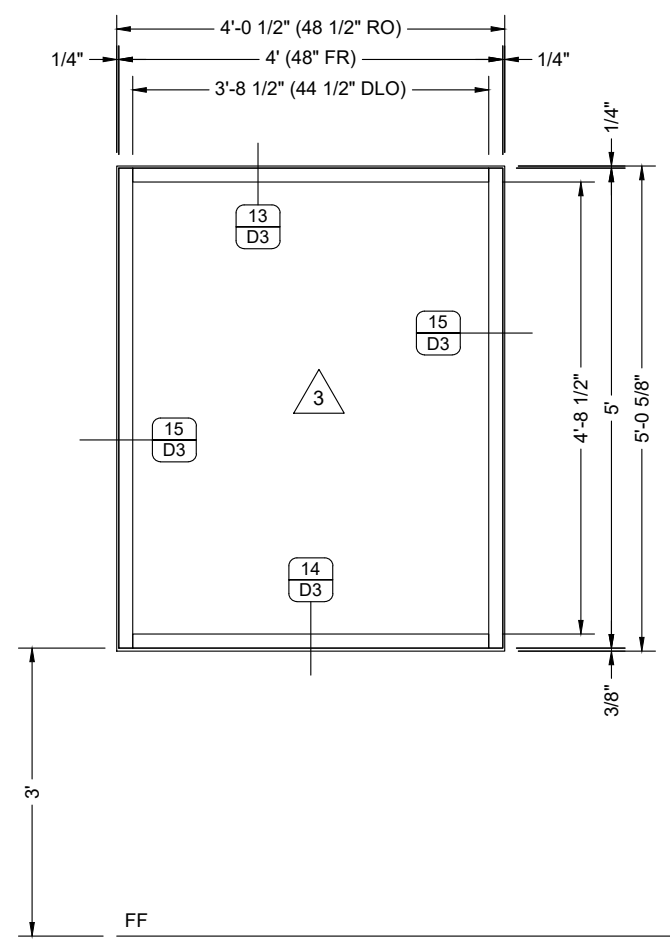
EVINS GLASS SERVICE, INC
 101 N.P.I.D., CORPUS CHRISTI, TX 78406
 WORK (361) 884-3995 FAX (361) 884-4262

PROJECT: CORPUS CHRISTI SCHOOL OF SCIENCE & TECHNOLOGY
NEW BUILDING, EARLY LEARNING CNTR.
 ARCHITECT: OPEN STUDIO ARCHITECTURE
 (210) 417-4807
 GENERAL CONTRACTOR: EDU BUILD
 (361) 947-7199

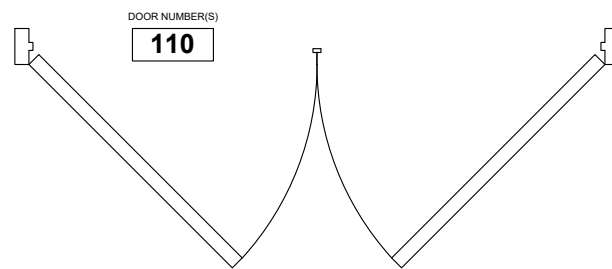
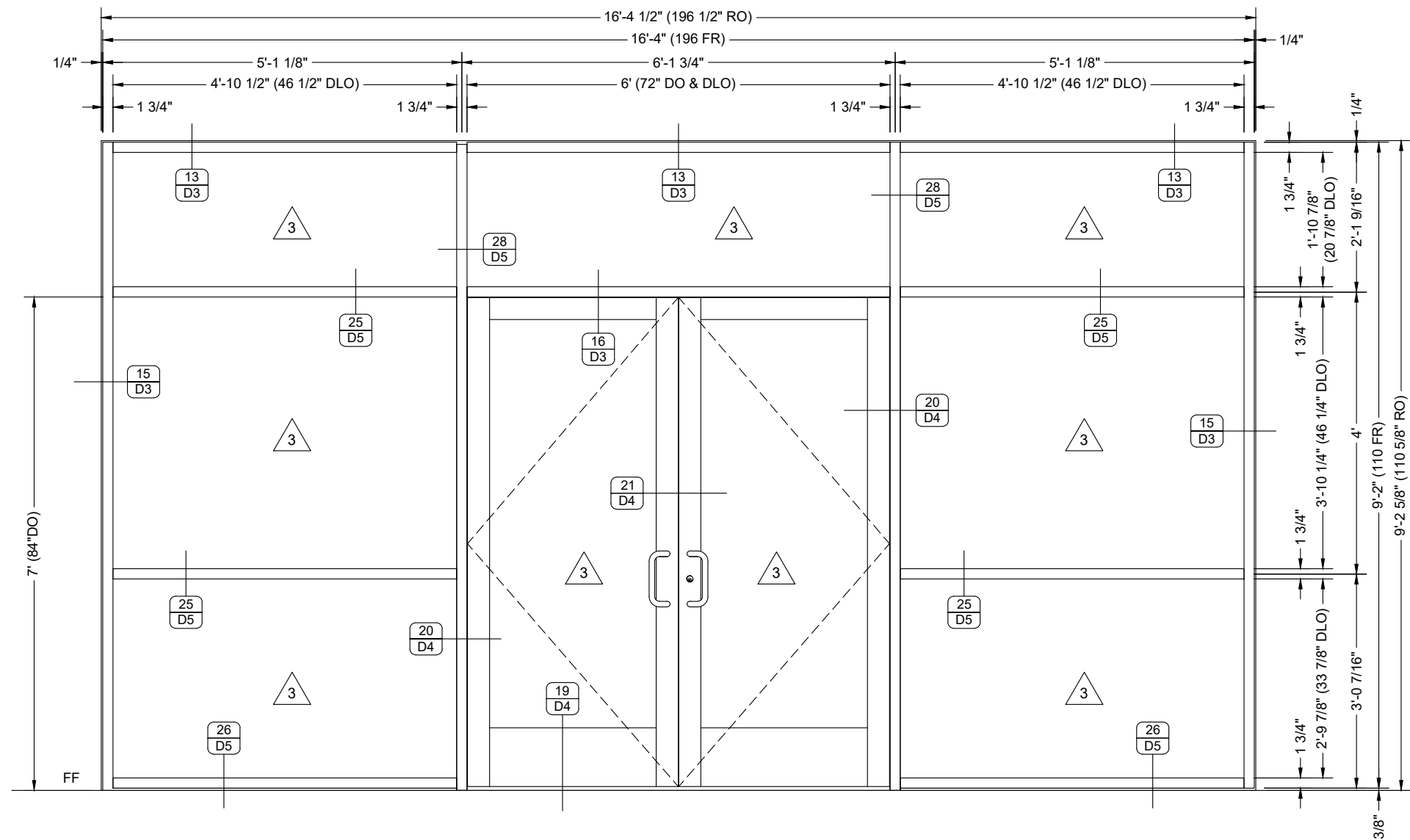
PROJECT NO. EGS-2111-04	
DRAWN BY fp	DATE 12/20/21
SCALE 1/2" = 1'-0"	
DRAWING ELEVATIONS	
SHEET E5	



ELEVATION **W6** **INTERIOR STOREFRONT ENTRANCE**
 QUANTITY: 01
 SCALE: 1/2" = 1'-0"
 ARCH REF: 1/A101 2/A401 D/A601 W6/A601
 KAWNEER 350 IR MEDIUM STILE STANDARD DOORS ON
 KAWNEER VG 450 ALUMINUM STOREFRONT FRAMING



ELEVATION **W7** **INTERIOR ALUMINUM STOREFRONT**
 QUANTITY: 04
 SCALE: 1/2" = 1'-0"
 ARCH REF: 1/A101 2/A128 3/A128 1/A402 3/A402
 KAWNEER VG 450 ALUMINUM STOREFRONT



DOOR NUMBER(S)
110

ELEVATION

QUANTITY: 01
 SCALE: 1/2" = 1'-0"
 ARCH REF: 1/A101
 4/A129 1/A301 1/A402 D/A601

W8

INTERIOR STOREFRONT ENTRANCE

KAWNEER 350 IR MEDIUM STILE STANDARD DOORS ON
 KAWNEER VG 450 ALUMINUM STOREFRONT FRAMING

NO.	DATE	DESCRIPTION
3	12/20/21	REVISION To change elevation dimensions & add Transom Window
2	12/13/21	Remove Vertical Mullion in Transom of Exterior Entrance W2
1	12/05/21	First Submittal

EVINS GLASS SERVICE, INC
 101 N.P.I.D., CORPUS CHRISTI, TX 78406
 WORK (361) 884-3995 FAX (361) 884-4262

PROJECT
 CORPUS CHRISTI SCHOOL OF SCIENCE & TECHNOLOGY
NEW BUILDING, EARLY LEARNING CNTR.
 ARCHITECT
 OPEN STUDIO ARCHITECTURE
 (210) 417-4807
 GENERAL CONTRACTOR
 EDU BUILD
 (861) 947-7199

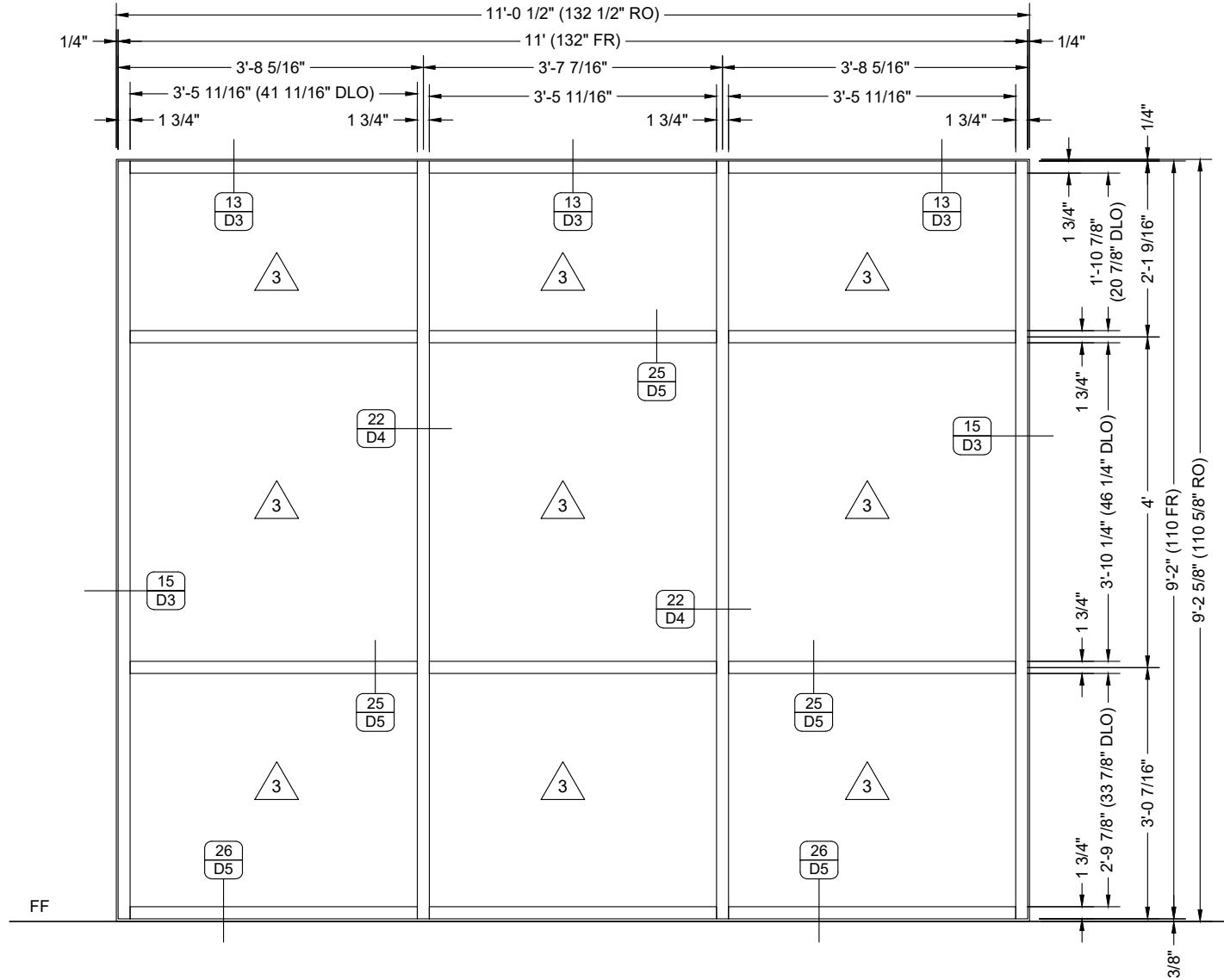
PROJECT NO.	EGS-2111-04
DRAWN BY	fp
DATE	12/20/21
SCALE	1/2" = 1'-0"
DRAWING	ELEVATIONS
SHEET	E6

NO.	DATE	DESCRIPTION
3	12/20/21	REVISION To change elevation dimensions & add Transaction Window
2	12/13/21	Remove Vertical Mullion in Transom of Exterior Entrance W2
1	12/05/21	First Submittal

EVINS GLASS SERVICE, INC
 101 N.P.I.D., CORPUS CHRISTI, TX 78406
 WORK (361) 884-3995 FAX (361) 884-4262

PROJECT: CORPUS CHRISTI SCHOOL OF SCIENCE & TECHNOLOGY
NEW BUILDING, EARLY LEARNING CNTR.
 ARCHITECT: OPEN STUDIO ARCHITECTURE
 GENERAL CONTRACTOR: EDU BUILD
 (801) 947-7199

PROJECT NO.	EGS-2111-04
DRAWN BY	fp
DATE	12/20/21
SCALE	1/2" = 1'-0"
DRAWING	ELEVATIONS
SHEET	E7



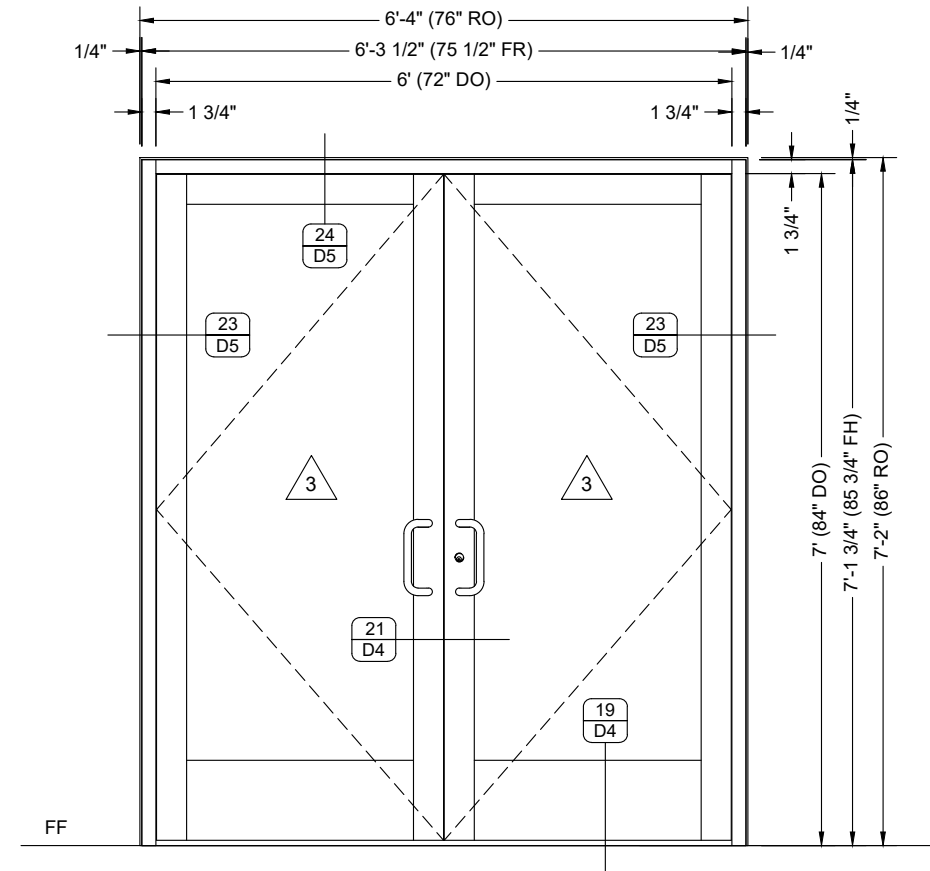
ELEVATION

QUANTITY: 02
 SCALE: 1/2" = 1'-0"
 ARCH REF: 1/A101 4/A129 1/A301 1/A402

W9

INTERIOR ALUMINUM STOREFRONT

KAWNEER VG 450 ALUMINUM STOREFRONT



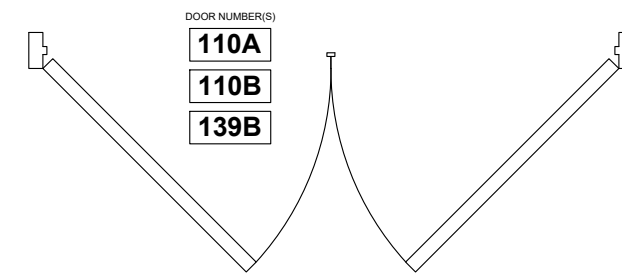
ELEVATION

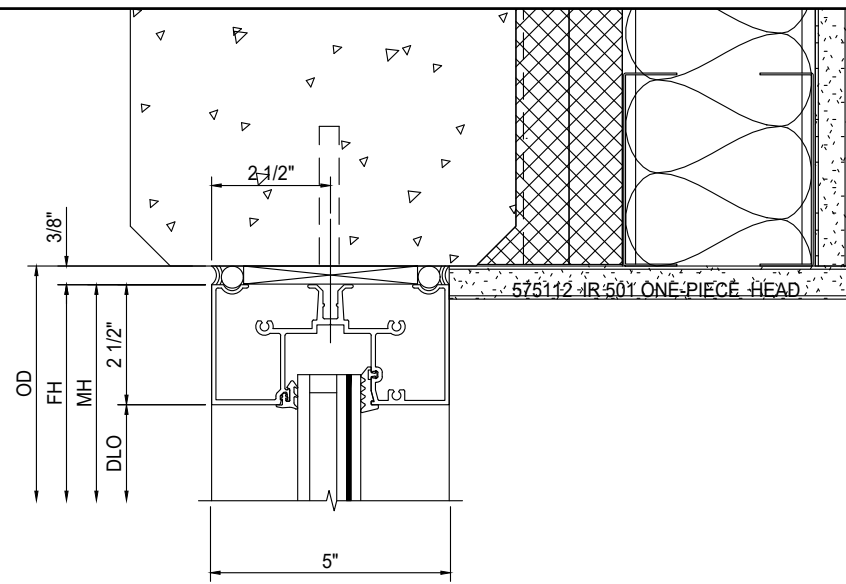
QUANTITY: 02
 SCALE: 1/2" = 1'-0"
 ARCH REF: 1/A101 1/A129 2/A129 2/A301 1/A401 D/A601

W10

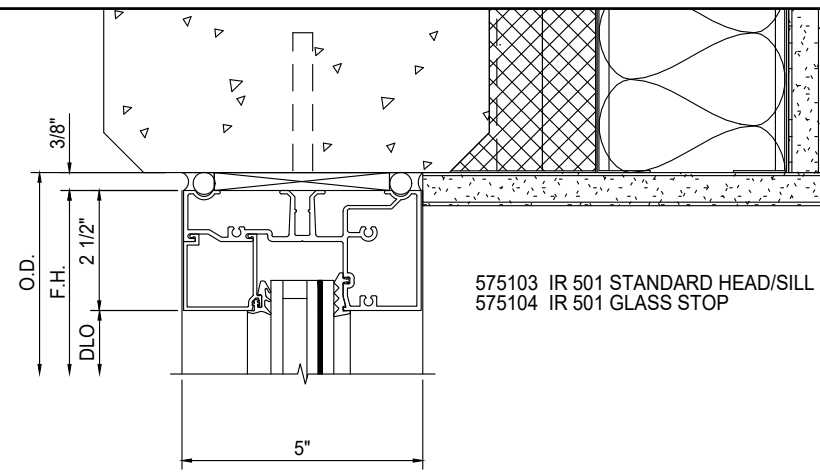
INTERIOR STOREFRONT ENTRANCE

KAWNEER 350 IR MEDIUM STILE STANDARD DOORS ON
 KAWNEER VG 450 ALUMINUM STOREFRONT FRAMING



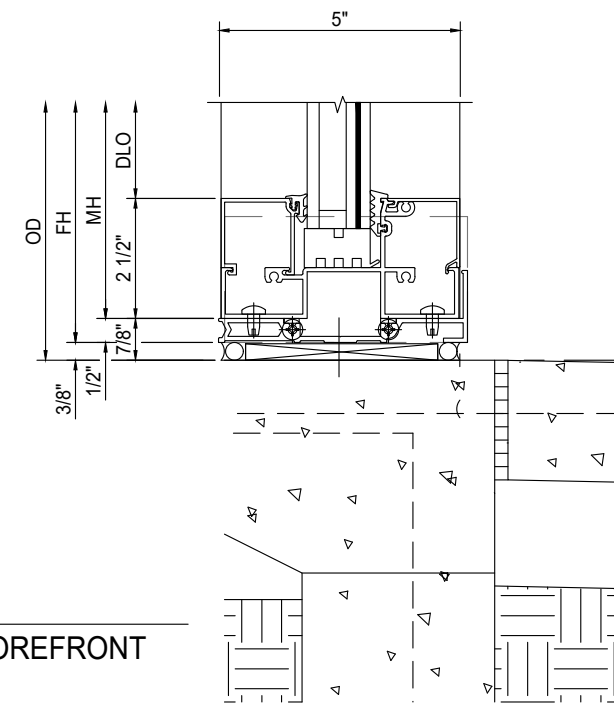


DETAIL 01 EXTERIOR HEAD
 SCALE: 3" = 1'-0"
 ARCH REF: 1/A603
 KAWNEER IR 501 ALUMINUM STOREFRONT

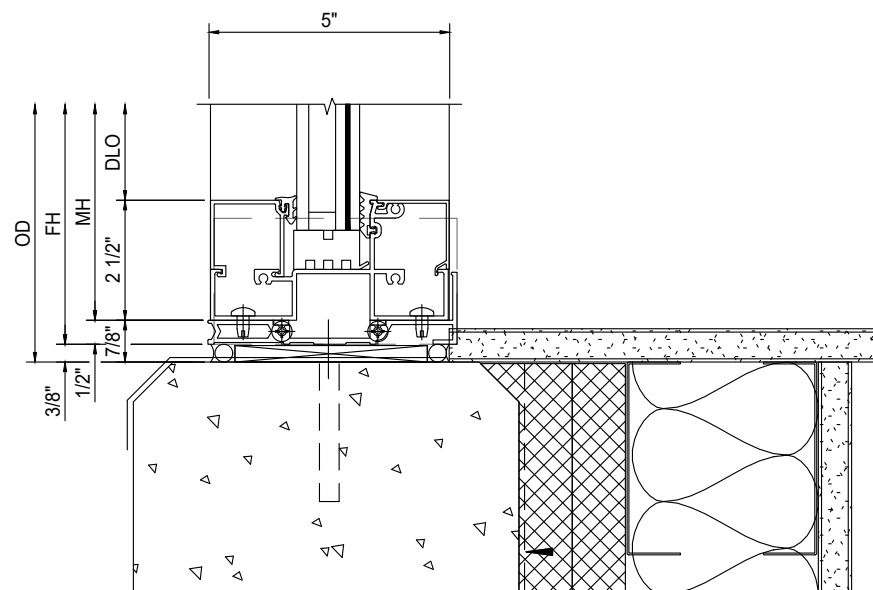


DETAIL 03 EXTERIOR TRANSOM HEAD
 SCALE: 3" = 1'-0"
 ARCH REF: 1/A603
 KAWNEER IR 501 ALUMINUM STOREFRONT

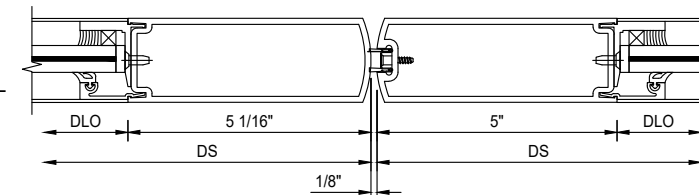
DETAIL 02 EXTERIOR SILL
 SCALE: 3" = 1'-0"
 ARCH REF: 2/A603
 KAWNEER IR 501 ALUMINUM STOREFRONT



DETAIL 04 EXTERIOR SILL
 SCALE: 3" = 1'-0"
 ARCH REF: 1/A101, 2/A301, 4/A501, 9/A602
 KAWNEER IR 501 ALUMINUM STOREFRONT



200009 500 ACTIVE STILE
 200010 500 INACTIVE STILE
 200496 ADJUSTABLE ASTRAGAL



DETAIL 05 MEETING STILES
 SCALE: 3" = 1'-0"
 ARCH REF: N/A
 KAWNER 500 IR IMPACT RESISTANT STOREFRONT ENTRANCE

NO.	DATE	BY	DESCRIPTION
3	12/20/21	fp	REVISION To change elevation dimensions & add Transom Window
2	12/13/21	fp	Remove Vertical Mullion in Transom of Exterior Entrance W2
1	12/05/21	fp	First Submittal

EVINS GLASS SERVICE, INC
 101 N.P.I.D., CORPUS CHRISTI, TX 78406
 WORK (361) 884-3995 FAX (361) 884-4262

PROJECT
 CORPUS CHRISTI SCHOOL OF SCIENCE & TECHNOLOGY
NEW BUILDING, EARLY LEARNING CNTR.
 ARCHITECT
 OPEN STUDIO ARCHITECTURE
 GENERAL CONTRACTOR
 EDU BUILD
 (801) 947-7199

PROJECT NO.	EGS-2111-04
DRAWN BY	fp
DATE	12/20/21
SCALE	3" = 1'-0"
DRAWING	DETAILS
SHEET	D1